




Ecophon Hygiene Performance™ Care Wall

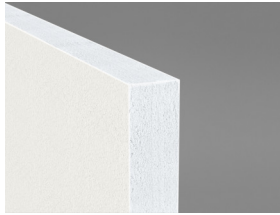
Ecophon Hygiene Performance™ Care Wall is an easy to clean, sound absorbing wall panel system for healthcare applications or other areas with elevated hygiene standards. The surface is resistant to common detergents and disinfectants. The panels withstand steam cleaning.



Healthcare launch 2019, Sweden

SYSTEM RANGE

| | |
|--|-----------|
|  Size, mm | 2700x1200 |
| Thinline | • |
| Thickness (THK) | 40 |
| Inst. Diag. | M525 |



Hygiene Performance Care Wall



Hygiene Performance Care Wall system with Connect Thinline profiles

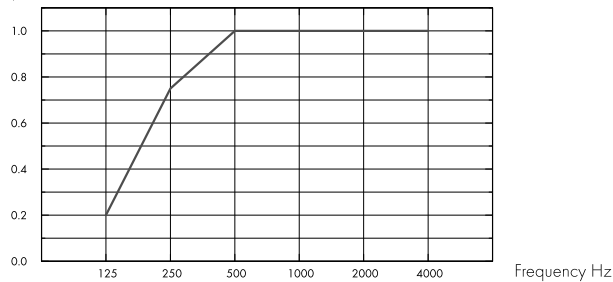


Acoustic

Sound Absorption:

Test results according to EN ISO 354. Classification according to EN ISO 11654.

α_p , Practical sound absorption coefficient



– Hygiene Performance Care Wall 40 mm, 50 mm o.d.s.

| THK mm | o.d.s. mm | α_p , Practical sound absorption coefficient | | | | | | α_w | Sound absorption class |
|--------|-----------|---|--------|--------|---------|---------|---------|------------|------------------------|
| | | 125 Hz | 250 Hz | 500 Hz | 1000 Hz | 2000 Hz | 4000 Hz | | |
| 40 | 50 | 0.20 | 0.75 | 1.00 | 1.00 | 1.00 | 1.00 | 1.00 | A |



Indoor Air Quality

| Certificate / Label | |
|------------------------------|-----|
| Eurofins Indoor Air Comfort® | IAC |
| French VOC | A |
| Finnish M1 | • |



Circularity

| | |
|--|------------------|
| Minimum post-consumer recycled content | 58% |
| Recyclability | Fully recyclable |



Fire safety

| Country | Standard | Class |
|---------|------------|----------|
| Europe | EN 13501-1 | A2-s1,d0 |

The glass wool core of the tiles is tested and classified as non-combustible according to EN ISO 1182.



Humidity Resistance

Class C, relative humidity 95% and 30°C, according to EN 13964:2014



Visual appearance

White 500, nearest NCS colour sample S 0500-N, 84% light reflectance.



Cleanability

Daily dusting and vacuum cleaning. Weekly wet wiping.



Advanced Cleanability

Steam cleaning. Withstand use of hydrogen peroxide vapor.



Surface Endurance

Product tested according to ISO 11998, and withstand 200 cycles.



Chemical resistance/Disinfection

| Chemical | Active Substance | Concentration |
|------------------|--|---------------|
| Actichlor plus | NaDCC (Sodium Dichloroisocyanurate) | 1% |
| LifeClean | Chlorine dioxide | Undiluted |
| Etanol | Etanol | 70% |
| Chlorine | Sodium Hypochlorite solution | 2,5% |
| Virkon S | Dipotassium peroxodisulphate; Sulphamidic acid | 1% |
| Isopropanol | Isopropyl Alcohol | 70% |
| Oxivir Excel | Hydrogen peroxide | 0,5% |
| Sumabac D10 | Quaternary ammonium compound, Sodium carbonate | 1% |
| Suredis VT1 | n-(3-aminopropyl)-n-dodecylpropan-1,3-diamin | 1% |
| Enduro Chlor VE5 | Potassium hydroxide | 1,5% |
| Acipusfoam VF59 | Nitric Acid | 5% |

Tested according to ISO 11998 and withstand the following chemicals or disinfectants.



Mould and Bacterial Resistance

| Standard/Method | |
|-----------------|---|
| ISO 846 A | 0 |
| ISO 846 C | 0 |



Clean Room

| Standard | Standard/Method | Class |
|-------------|-------------------------------|-----------|
| ISO 14644 | Particle cleanliness class | ISO 4 |
| NF S 90-351 | Microbiological class | M1/area 4 |
| NF S 90-351 | Particle elimination kinetics | CP(0,5) 5 |



Accessibility

The tiles are not demountable except in selected installation diagrams. See quantity specification for more information.



Installation

Installed according to installation diagrams, installation guides and drawing aid. For information regarding minimum overall depth of system see quantity specification.



Mechanical properties

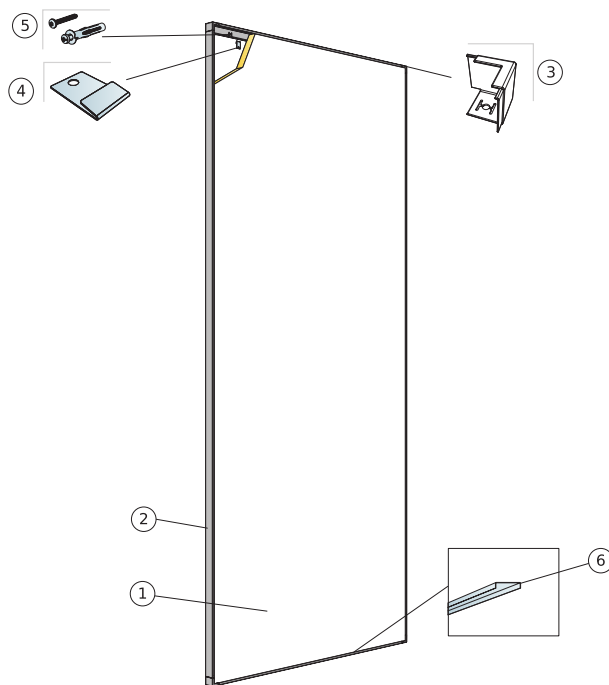
See table about Max live load and Min load bearing capacity and Functional demands, Mechanical properties at www.ecophon.com.



CE

Ecophon ceiling systems are CE marked according to the European harmonized standard EN13964:2014. CE marked construction products are covered by a Declaration of Performance (DOP) which enables customers and users to easily compare performance of products available on the European market.

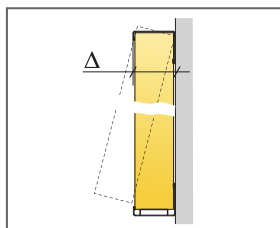
INSTALLATION DIAGRAM (M525) FOR ECOPHON HYGIENE PERFORMANCE™ CARE WALL INSTALLATION WITH CONNECT THINLINE PROFILE.



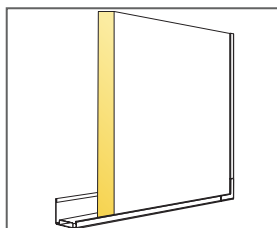
© Ecophon Group

QUANTITY SPECIFICATION (EXCL. WASTAGE)

| | | Size, mm |
|----------------------------------|--|---------------------|
| | | 2700x1200 |
| 1 | Hygiene Performance Care Wall | 0,31/m ² |
| 2 | Connect Thinline Profile, L=2644 mm | as required |
| 3 | Connect Thinline Corner | as required |
| 4 | Connect Thinline Locking Clip | as required |
| 5 | Installation screw, installed at 200 mm centres (select fastener according to wall material) | as required |
| 6 | Connect Thinline Space Bar | as required |
| Δ Overall depth of system: 45 mm | | - |



See Quantity specification



Detail of panel with Thinline system